

ASSEMBLY INSTRUCTIONS & PARTS MANUAL

MB-1-2542-MGY Mobile Maintenance Bench



RETAIN INSTRUCTIONS FOR FUTURE REFERENCE



GENERAL SAFETY INFORMATION

Some parts may have sharp edges. CARE must be taken when handling various pieces to avoid injury.

For safety, wear a pair of work gloves when assembling or performing any maintenance on carts.

**Caution: This unit is intended to be pushed only on a clean level surface.
Do not pull, as injury may result.**

LIMITED WARRANTY

Tennsco warrants goods purchased hereunder to be free of defects in materials and workmanship for a period of one (1) year from the date of shipment, hereunder. This warranty shall not apply in the event goods are damaged as a result of misuse, abuse, neglect, accident, improper application, modification or repair by persons not authorized by Seller, where goods are damaged during shipment, or where the date stamps on the goods have been defaced, modified or removed. UNLESS CONSIDERED UNENFORCEABLE OR UNLAWFUL UNDER APPLICABLE LAW:

- a. ALL IMPLIED WARRANTIES, INCLUDING BUT NOT LIMITED TO WARRANTIES OR MERCHANTABILITY AND FITNESS FOR A PARTICULAR PURPOSE ARE HEREBY EXCLUDED:
- b. BUYERS REMEDY, IF ANY, FOR ANY DEFECTIVE GOODS SHALL BE LIMITED TO A REFUND BY SELLER OR REPLACEMENT OF THE GOODS AT SELLER'S OPTION, AND SHALL IN NO EVENT INCLUDE DAMAGES OF ANY KIND, WHETHER INCIDENTAL, CONSEQUENTIAL OR OTHERWISE.

NO GOODS ACCEPTED FOR RETURN WITHOUT PRIOR APPROVAL. Seller shall have the right to inspect any goods claimed to be defective at Buyers place of business or require Buyer to return the goods to Seller for inspection on Seller's premises. Transportation charges covering returned goods will be borne by Seller only if such goods are proven to be defective, are covered by this warranty and are returned within the warranty period stated above.



PROUDLY MADE IN THE U.S.A.

Tennsco LLC., Dickson, TN 37056-1888 • (866) 446-8686

ASSEMBLY OF MB-1-2542 MOBILE MAINTENANCE BENCH

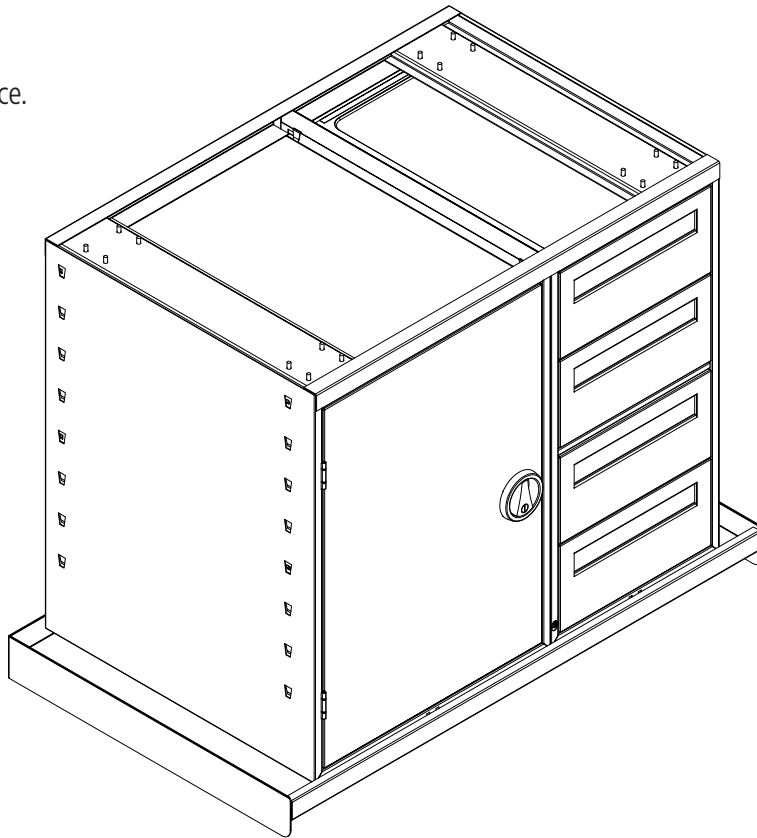
The only assembly required is attaching casters to the bench. Approximate assembly time: 5-10 minutes.

Tools required: slotted screwdriver and 7/16" wrench.

The reference numbers used throughout this sheet refer to the illustration on the back cover.

This is to help you to identify the various parts as they are mentioned.

- 1.** Place the cabinet (Ref. No. 1) upside down on a clean, stable, non-marring surface.

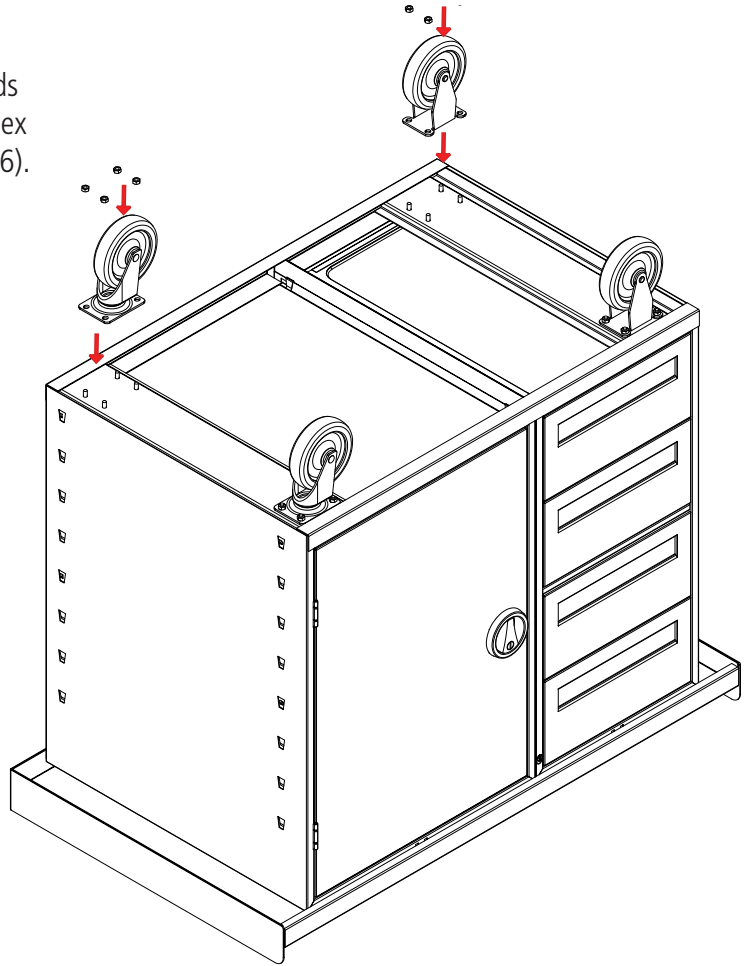


- 3.** Return the workbench unit to its upright position and lock the brakes on the swivel casters.

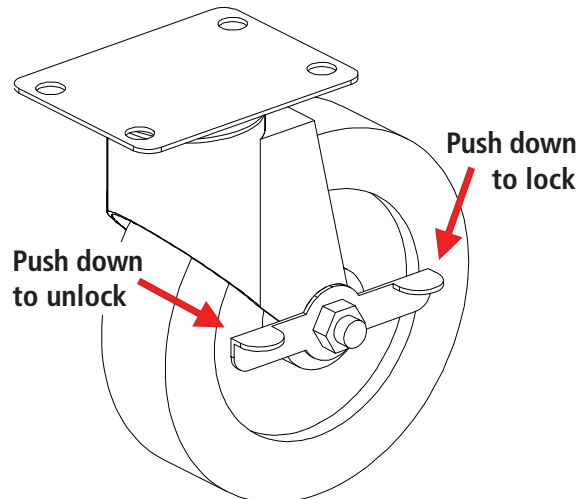


2. Place casters (Ref. Nos. 9 and 10) over the bolt studs provided on caster supports and attach with four Hex Nuts (Ref. No. 15) and four Lockwashers (Ref. No. 16). Tighten all the nuts securely.

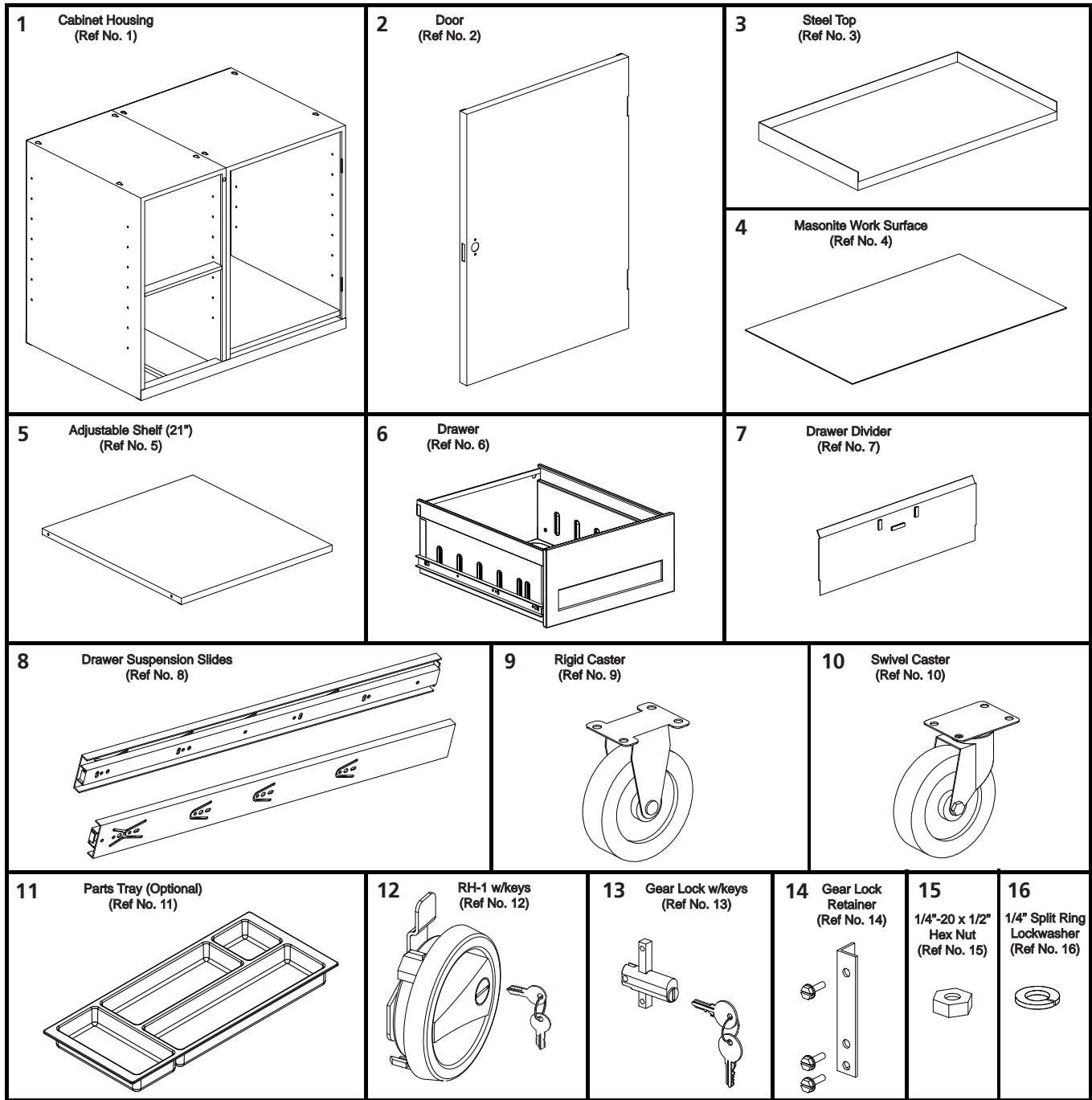
NOTE: Be sure to mount the swivel casters together on the same end of the cabinet.



4. To operate the caster brakes, press down on the front of the brake with a foot to lock. Then press down on the back of the brake with a foot to unlock.



REPLACEMENT PARTS



REF. NO.	DESCRIPTION	PART NO.	QUANTITY	REF. NO.	DESCRIPTION	PART NO.	QUANTITY
1	Cabinet Housing	052CH	1	9	Rigid Caster	052RC	2
2	Door	052D	1	10	Swivel Caster	052SC	2
3	Top	052ST	1	11	Parts Tray (Optional)	976T	1
4	Masonite Work Surface	052WS	1	12	Locking Recessed Handle	RH-1	1
5	Adjustable Shelf (21")	052S	1	13	Gear Lock w/keys	257GL	1
6	Drawer	257DW	4	14	Gear Lock Retainer	257LR	1
7	Drawer Divider	WBDD-12	4	15	1/4"-20 x 1/2" Hex Nut	**	16
8	Suspension Slides (pair)	SUSP-22	4	16	1/4" Split Ring Lockwasher	**	16

** Available Locally

NOTE: Additional hardware may be included for replacement purposes.

Tennsco makes every effort to ensure that all units ship complete with all parts and arrive undamaged. However, should your unit contain missing or damaged parts, please contact your purchase location.